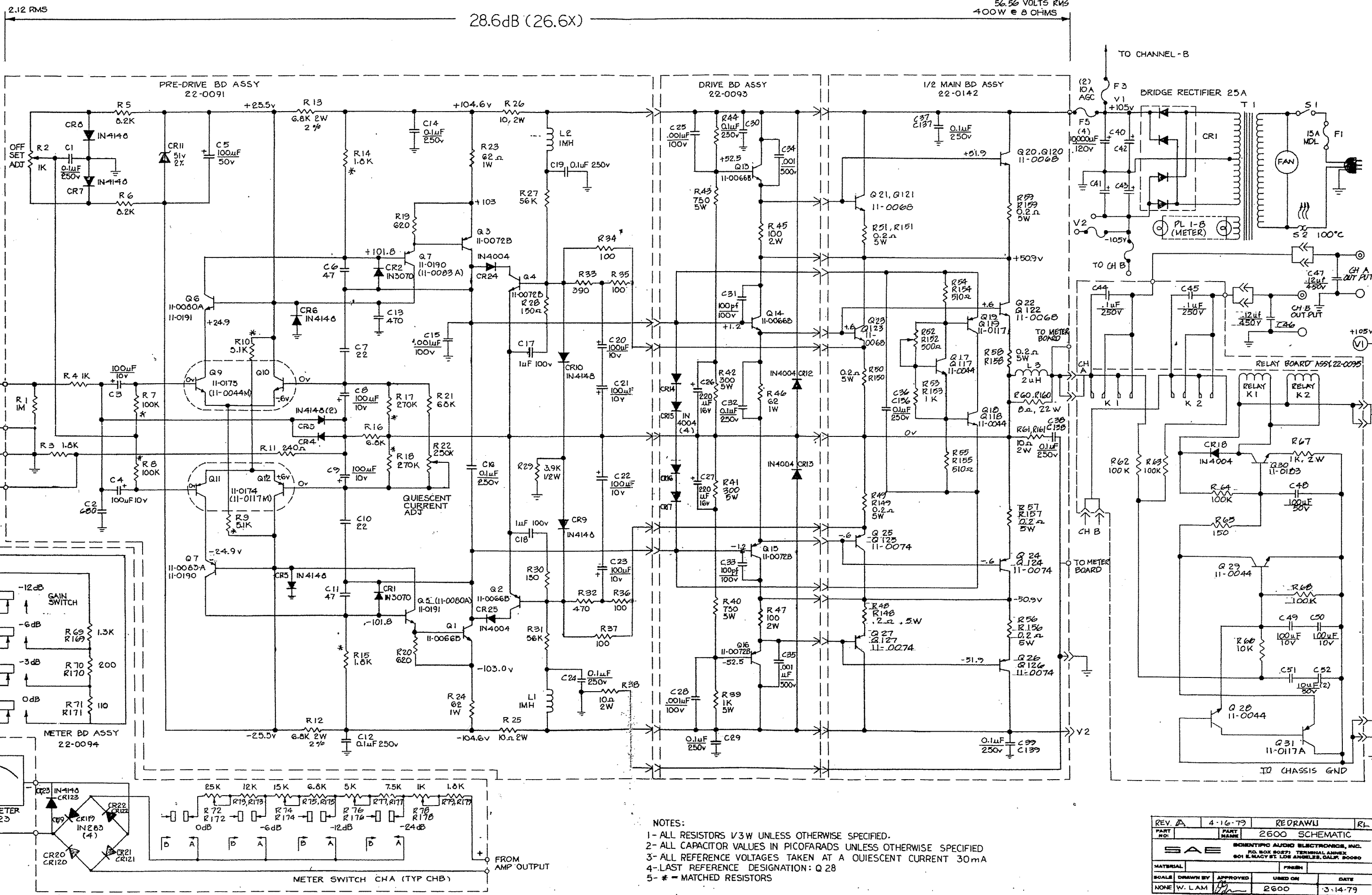


CHANNEL-A ONLY



- NOTES:
- 1- ALL RESISTORS 1/3W UNLESS OTHERWISE SPECIFIED.
 - 2- ALL CAPACITOR VALUES IN PICOFARADS UNLESS OTHERWISE SPECIFIED
 - 3- ALL REFERENCE VOLTAGES TAKEN AT A QUIESCENT CURRENT 30mA
 - 4- LAST REFERENCE DESIGNATION: Q 28
 - 5- * = MATCHED RESISTORS

REV. A	4-16-79	REDRAWN	RL
PART NO:	PART NAME:	2600 SCHEMATIC	
SAE SCIENTIFIC ALPHACOR ELECTRONICS, INC.			
P.O. BOX 80577, TERMINAL ANNEX, 601 E. PACIFIC ST., LOS ANGELES, CALIF. 90000			
MATERIAL:	FINISH:		
SCALE:	DRAWN BY:	APPROVED:	USED ON:
NONE	W. LAM		2600
			DATE:
			3-14-79